

Stainless valves



Stainless valves

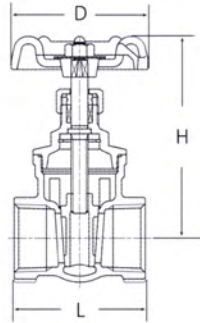
10K

GATE VALVE

Screwed Bonnet, Non-rising Stem
Threaded ends to BS21 (JIS B0203)

1.4MPa WOG non-shock and 1.1 MPa WOG non-shock at 150°C

⚠ Don't use for Flammable gas or Toxic gas



Materials

| Parts | UL | ULN |
|---------------|--------|--------|
| Body | SCS13A | SCS14A |
| Bonnet | SCS13A | SCS14A |
| Stem | SUS304 | SUS316 |
| Disc | SUS304 | SUS316 |
| Gland | SUS304 | SUS316 |
| Gland packing | R-PTFE | R-PTFE |
| Gasket | R-PTFE | R-PTFE |
| Handwheel | ADC12 | |

Note : Fig,ULN is supplied upon request.

Dimensions

unit:mm

| Nominal Size | inch | 1/2 | 3/4 | 1 | 1 1/4 | 1 1/2 | 2 |
|--------------|------|-----|-----|-----|-------|-------|-----|
| | mm | 15 | 20 | 25 | 32 | 40 | 50 |
| L | | 54 | 58 | 66 | 75 | 78 | 87 |
| H | | 85 | 95 | 103 | 122 | 136 | 158 |
| D | | 55 | 63 | 70 | 80 | 80 | 90 |

Fig.UL Fig.ULN

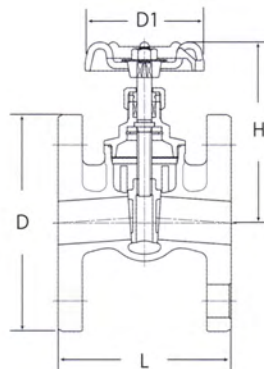
10K

FLANGED GATE VALVE

Screwed Bonnet, Non-rising Stem
Flanged ends to JISB2220 10K

1.4MPa WOG non-shock and 1.1 MPa WOG non-shock at 150°C

⚠ Don't use for Flammable gas or Toxic gas



Materials

| Parts | FUL | FULN |
|---------------|--------|--------|
| Body | SCS13A | SCS14A |
| Bonnet | SCS13A | SCS14A |
| Stem | SUS304 | SUS316 |
| Disc | SUS304 | SUS316 |
| Gland | SUS304 | SUS316 |
| Gland packing | R-PTFE | R-PTFE |
| Gasket | R-PTFE | R-PTFE |
| Handwheel | ADC12 | |

Note : Fig,FULN is supplied upon request.

Dimensions

unit:mm

| Nominal Size | inch | 1/2 | 3/4 | 1 | 1 1/4 | 1 1/2 | 2 |
|--------------|------|-----|-----|-----|-------|-------|-----|
| | mm | 15 | 20 | 25 | 32 | 40 | 50 |
| D | | 95 | 100 | 125 | 135 | 140 | 155 |
| L | | 80 | 90 | 100 | 110 | 125 | 140 |
| H | | 87 | 98 | 106 | 125 | 139 | 163 |
| D1 | | 56 | 63 | 70 | 80 | 80 | 90 |

Fig.FUL Fig.FULN

Stainless valves

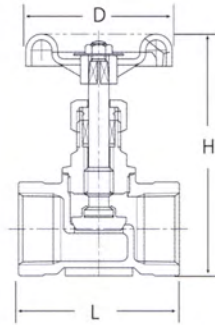
10K

GLOBE VALVE

Screwed Bonnet, Rising Stem
Threaded ends to BS21 (JIS B0203)

1.4MPa WOG non-shock and 1.1 MPa WOG non-shock at 150°C

⚠ Don't use for Flammable gas or Toxic gas



Materials

| Parts | UG | UGN |
|---------------|--------|---------|
| Body | SCS13A | SCS14A |
| Bonnet | SCS13A | SCS14 A |
| Stem | SUS304 | SUS316 |
| Disc | SUS304 | SUS316 |
| Gland | SUS304 | SUS316 |
| Gland packing | R-PTFE | R-PTFE |
| Gasket | R-PTFE | R-PTFE |
| Handwheel | ADC12 | |

Note : Fig,UGN is supplied upon request.

Dimensions

unit:mm

| Nominal Size | inch | 1/4 | 3/8 | 1/2 | 3/4 | 1 | 1 1/4 | 1 1/2 | 2 |
|--------------|------|-----|-----|-----|-----|----|-------|-------|-----|
| | mm | 8 | 10 | 15 | 20 | 25 | 32 | 40 | 50 |
| L | | 44 | 48 | 52 | 60 | 72 | 80 | 90 | 100 |
| H | | 80 | 80 | 80 | 86 | 93 | 105 | 124 | 138 |
| D | | 55 | 55 | 55 | 63 | 70 | 80 | 90 | 100 |

Fig.UG Fig.UGN

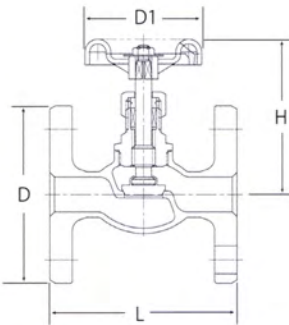
10K

FLANGED GLOBE VALVE

Screwed Bonnet, Rising Stem
Flanged ends to JISB2220 10K

1.4MPa WOG non-shock and 1.1 MPa WOG non-shock at 150°C

⚠ Don't use for Flammable gas or Toxic gas



Materials

| Parts | FUG | FUGN |
|---------------|--------|--------|
| Body | SCS13A | SCS14A |
| Bonnet | SCS13A | SCS14A |
| Stem | SUS304 | SUS316 |
| Disc | SUS304 | SUS316 |
| Gland | SUS304 | SUS316 |
| Gland packing | R-PTFE | R-PTFE |
| Gasket | R-PTFE | R-PTFE |
| Handwheel | ADC12 | |

Note : Fig,FUGN is supplied upon request.

Dimensions

unit:mm

| Nominal Size | inch | 1/2 | 3/4 | 1 | 1 1/4 | 1 1/2 | 2 |
|--------------|------|-----|-----|-----|-------|-------|-----|
| | mm | 15 | 20 | 25 | 32 | 40 | 50 |
| D | | 95 | 100 | 125 | 135 | 140 | 155 |
| L | | 85 | 95 | 110 | 130 | 150 | 180 |
| H | | 84 | 92 | 103 | 122 | 135 | 158 |
| D1 | | 55 | 63 | 70 | 80 | 90 | 100 |

Fig.FUG Fig.FUGN

Stainless valves

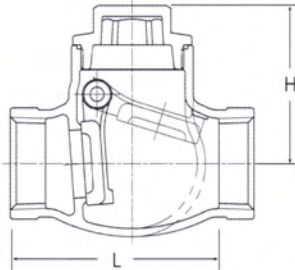
10K

SWING CHECK VALVE

Screwed Cap, Swing type disc
Threaded ends to BS21 (JIS B0203)

1.4MPa WOG non-shock and 1.1 MPa WOG non-shock at 150°C

⚠ Don't use for Flammable gas or Toxic gas



Materials

| Parts | US | USN |
|-------------|--------|---------|
| Body | SCS13A | SCS14A |
| Cap | SCS13A | SCS14 A |
| Hinge pin | SUS304 | SUS316 |
| Disc | SUS304 | SUS316 |
| Plug | SUS304 | SUS316 |
| Gasket | R-PTFE | R-PTFE |
| Plug gasket | R-PTFE | R-PTFE |

Note : Fig,USN is supplied upon request.

Dimensions

unit:mm

| Nominal Size | inch | 1/2 | 3/4 | 1 | 1 1/4 | 1 1/2 | 2 |
|--------------|------|------|-----|----|-------|-------|-----|
| | mm | 15 | 20 | 25 | 32 | 40 | 50 |
| L | | 65 | 80 | 90 | 105 | 120 | 140 |
| H | | 43.5 | 49 | 58 | 64.5 | 73.5 | 86 |

Fig.US Fig.USN

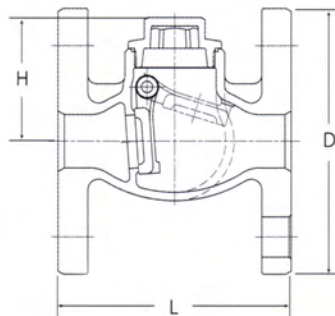
10K

FLANGED SWING CHECK VALVE

Screwed Cap, Swing type disc
Flanged ends to JISB2220 10K

1.4MPa WOG non-shock and 1.1 MPa WOG non-shock at 150°C

⚠ Don't use for Flammable gas or Toxic gas



Materials

| Parts | FUS | FUSN |
|-------------|--------|--------|
| Body | SCS13A | SCS14A |
| Bonnet | SCS13A | SCS14A |
| Hinge pin | SUS304 | SUS316 |
| Disc | SUS304 | SUS316 |
| Plug | SUS304 | SUS316 |
| Gasket | R-PTFE | R-PTFE |
| Plug gasket | R-PTFE | R-PTFE |

Note : Fig,FUSN is supplied upon request.

Dimensions

unit:mm

| Nominal Size | inch | 1/2 | 3/4 | 1 | 1 1/4 | 1 1/2 | 2 |
|--------------|------|-----|-----|-----|-------|-------|-----|
| | mm | 15 | 20 | 25 | 32 | 40 | 50 |
| L | | 85 | 95 | 110 | 130 | 150 | 180 |
| H | | 44 | 49 | 58 | 65 | 74 | 86 |
| D | | 95 | 100 | 125 | 135 | 140 | 155 |

Fig.FUS Fig.FUSN

Stainless valves

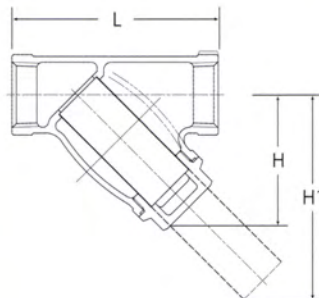
10K

Y-PATTERN STRAINER

Screwed Cap, Stainless screen
Threaded ends to BS21 (JIS B0203)

1.4MPa WOG non-shock and 1.1 MPa WOG non-shock at 150°C

⚠ Don't use for Flammable gas or Toxic gas



Materials

| Parts | UY | UYN |
|--------|--------|--------|
| Body | SCS13A | SCS14A |
| Cap | SCS13A | SCS14A |
| Gasket | R-PTFE | R-PTFE |
| Screen | SUS304 | SUS316 |

Note : Fig.UYN is supplied upon request.
Screen is a 40-mesh stainless wire net reinforced with a punched stainless steel plate.

Dimensions

| Nominal Size | inch mm | unit:mm | | | | | | |
|--------------|------------|---------|------|------|-----|-------|-------|-----|
| | | 3/8 | 1/2 | 3/4 | 1 | 1 1/4 | 1 1/2 | 2 |
| L | | 70 | 80 | 93 | 108 | 128 | 143 | 173 |
| H | | 43 | 50.5 | 60.5 | 70 | 82 | 93 | 119 |
| H1 | | 61 | 73.5 | 89.5 | 107 | 126 | 143.5 | 190 |

Fig.UY Fig.UYN

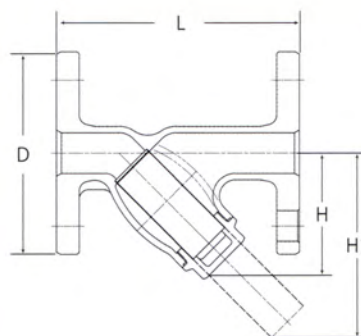
10K

FLANGED Y-PATTERN STRAINER

Screwed Cap, Stainless screen
Flanged ends to JISB2220 10K

1.4MPa WOG non-shock and 1.1 MPa WOG non-shock at 150°C

⚠ Don't use for Flammable gas or Toxic gas



Materials

| Parts | FUY | FUYN |
|--------|--------|--------|
| Body | SCS13A | SCS14A |
| Cap | SCS13A | SCS14A |
| Gasket | R-PTFE | R-PTFE |
| Screen | SUS304 | SUS316 |

Note : Fig.FUYN is supplied upon request.
Screen is a 40-mesh stainless wire net reinforced with a punched stainless steel plate.

Dimensions

| Nominal Size | inch mm | unit:mm | | | | | |
|--------------|------------|---------|-----|-----|-------|-------|-------|
| | | 1/2 | 3/4 | 1 | 1 1/4 | 1 1/2 | 2 |
| L | | 120 | 130 | 150 | 170 | 190 | 220 |
| H | | 54 | 66 | 78 | 90.5 | 104 | 133.5 |
| D | | 95 | 100 | 125 | 135 | 140 | 155 |
| H1 | | 77 | 95 | 114 | 134.5 | 154.5 | 204.5 |

Fig.FUY Fig.FUYN

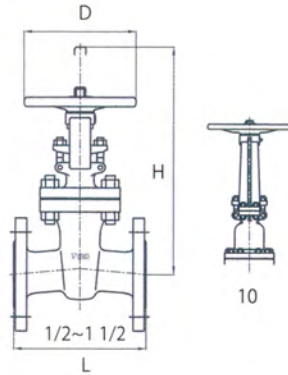
Stainless valves

10K

FLANGED GATE VALVE

Face-to-Face Dimensions ASME B16.10
End Flange Dimensions JIS B 2220

Pressure-Temperature Rating:JIS B2220



Materials

| Parts | 10UGA | 10UGAN |
|---------------|-------------------|--------|
| Body | SCS13A | SCS14A |
| Bonnet | SCS13A | SCS14A |
| Stem | SUS304 | SUS316 |
| Disc | SCS13A | SCS14A |
| Gland | SUS304 | SUS316 |
| Gland flange | SCS13A | |
| Gland packing | R-PTFE | |
| Gasket | R-PTFE | |
| Yoko sleeve | Ductile Ni-resist | |

Note : Yoko is separated for Size10,Materials is Ductile iron.

Dimensions

unit:mm

| Nominal Size | inch | 1/2 | 3/4 | 1 | 1 1/4 | 1 1/2 | 2 | 2 1/2 | 3 | 4 | 5 | 6 | 8 | 10 |
|--------------|------|-----|-----|-----|-------|-------|-----|-------|-----|-----|-----|-----|-----|------|
| | mm | 15 | 20 | 25 | 32 | 40 | 50 | 65 | 80 | 100 | 125 | 150 | 200 | 250 |
| L | | 108 | 117 | 127 | 140 | 165 | 178 | 190 | 203 | 229 | 254 | 267 | 292 | 330 |
| H | | 202 | 212 | 225 | 241 | 285 | 337 | 376 | 446 | 525 | 608 | 713 | 926 | 1128 |
| D | | 120 | 120 | 120 | 200 | 200 | 200 | 200 | 250 | 250 | 300 | 300 | 350 | 400 |

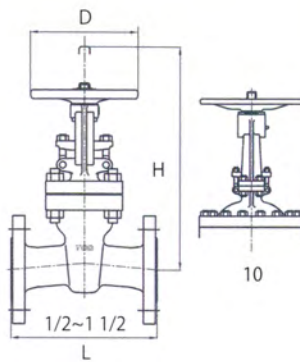
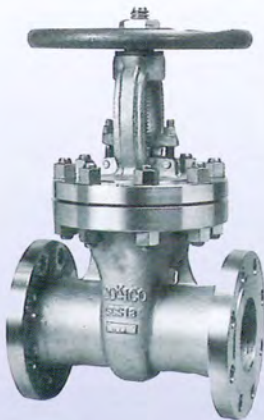
Fig.10UGA Fig.10UGAN

20K

FLANGED GATE VALVE

Face-to-Face Dimensions ASME B16.10
End Flange Dimensions JIS B 2220

Pressure-Temperature Rating:JIS B2220



Materials

| Parts | 20UGA | 20UGAN |
|---------------|-------------------|--------|
| Body | SCS13A | SCS14A |
| Bonnet | SCS13A | SCS14A |
| Stem | SUS304 | SUS316 |
| Disc | SCS13A | SCS14A |
| Gland | SUS304 | SUS316 |
| Gland flange | SCS13A | |
| Gland packing | R-PTFE | |
| Gasket | R-PTFE | |
| Yoko sleeve | Ductile Ni-resist | |

Note : Yoko is separated for Size10,Materials is Ductile iron.

Dimensions

unit:mm

| Nominal Size | inch | 1/2 | 3/4 | 1 | 1 1/4 | 1 1/2 | 2 | 2 1/2 | 3 | 4 | 5 | 6 | 8 | 10 |
|--------------|------|-----|-----|-----|-------|-------|-----|-------|-----|-----|-----|-----|-----|------|
| | mm | 15 | 20 | 25 | 32 | 40 | 50 | 65 | 80 | 100 | 125 | 150 | 200 | 250 |
| L | | 140 | 152 | 165 | 178 | 190 | 216 | 241 | 283 | 305 | 381 | 403 | 419 | 457 |
| H | | 236 | 236 | 236 | 355 | 355 | 384 | 454 | 500 | 609 | 630 | 792 | 998 | 1257 |
| D | | 120 | 120 | 120 | 250 | 250 | 250 | 250 | 250 | 300 | 300 | 350 | 400 | 400 |

Fig.20UGA Fig.20UGAN

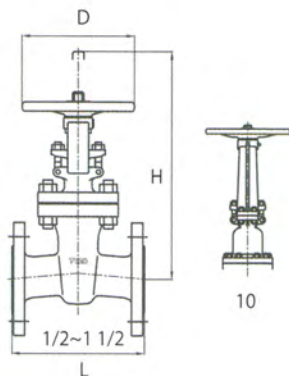
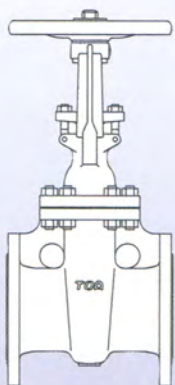
Stainless valves

Class 150

FLANGED GATE VALVE

Face-to-Face Dimensions ASME B16.10
End Flange Dimensions ASME B16.5

Pressure-Temperature Rating:ASME B16.34



Materials

| Parts | 150UGA | 150UGAN |
|---------------|-------------------|---------|
| Body | SCS13A | SCS14A |
| Bonnet | SCS13A | SCS14A |
| Stem | SUS304 | SUS316 |
| Disc | SCS13A | SCS14A |
| Gland | SUS304 | SUS316 |
| Gland flange | SCS13A | |
| Gland packing | R-PTFE | |
| Gasket | R-PTFE | |
| Yoko sleeve | Ductile Ni-resist | |

Note : Yoko is separated for Size10,Materials is Ductile iron.

Dimensions

unit:mm

| Nominal Size | inch | 1/2 | 3/4 | 1 | 1 1/4 | 1 1/2 | 2 | 2 1/2 | 3 | 4 | 5 | 6 | 8 | 10 |
|--------------|------|-----|-----|-----|-------|-------|-----|-------|-----|-----|-----|-----|-----|------|
| | mm | 15 | 20 | 25 | 32 | 40 | 50 | 65 | 80 | 100 | 125 | 150 | 200 | 250 |
| L | | 108 | 117 | 127 | 140 | 165 | 178 | 190 | 203 | 229 | 254 | 267 | 292 | 330 |
| H | | 202 | 212 | 225 | 241 | 285 | 337 | 376 | 446 | 525 | 608 | 713 | 926 | 1128 |
| H1 | | 120 | 120 | 120 | 200 | 200 | 200 | 200 | 250 | 250 | 300 | 300 | 350 | 400 |

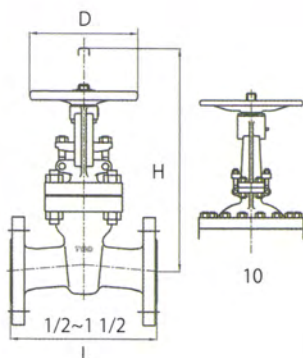
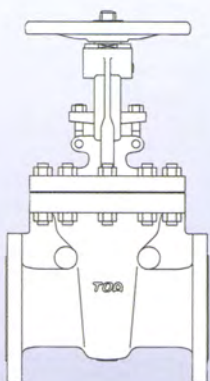
Fig.150UGA Fig.150UGAN

Class 300

FLANGED GATE VALVE

Face-to-Face Dimensions ASME B16.10
End Flange Dimensions ASME B16.5

Pressure-Temperature Rating:ASME B16.34



Materials

| Parts | 300UGA | 300UGAN |
|---------------|-------------------|---------|
| Body | SCS13A | SCS14A |
| Bonnet | SCS13A | SCS14A |
| Stem | SUS304 | SUS316 |
| Disc | SCS13A | SCS14A |
| Gland | SUS304 | SUS316 |
| Gland flange | SCS13A | |
| Gland packing | R-PTFE | |
| Gasket | R-PTFE | |
| Yoko sleeve | Ductile Ni-resist | |

Note : Yoko is separated for Size10,Materials is Ductile iron.

Dimensions

unit:mm

| Nominal Size | inch | 1/2 | 3/4 | 1 | 1 1/4 | 1 1/2 | 2 | 2 1/2 | 3 | 4 | 5 | 6 | 8 | 10 |
|--------------|------|-----|-----|-----|-------|-------|-----|-------|-----|-----|-----|-----|-----|------|
| | mm | 15 | 20 | 25 | 32 | 40 | 50 | 65 | 80 | 100 | 125 | 150 | 200 | 250 |
| D | | 140 | 152 | 165 | 178 | 190 | 216 | 241 | 283 | 305 | 381 | 403 | 419 | 457 |
| L | | 236 | 236 | 236 | 355 | 355 | 384 | 454 | 500 | 609 | 630 | 792 | 998 | 1257 |
| H | | 120 | 120 | 120 | 250 | 250 | 250 | 250 | 250 | 300 | 300 | 350 | 400 | 400 |

Fig.300UGA Fig.300UGAN

Stainless valves

10K

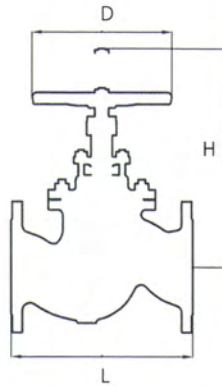
FLANGED GLOBE VALVE

Face-to-Face Dimensions ASME B16.10
End Flange Dimensions JIS B 2220

Pressure-Temperature Rating:JIS B2220



Fig.10UGL Fig.10UGLN



Dimensions

unit:mm

| Nominal Size | inch | 1/2 | 3/4 | 1 | 1 1/4 | 1 1/2 | 2 | 2 1/2 | 3 | 4 | 5 | 6 | 8 |
|--------------|------|-----|-----|-----|-------|-------|-----|-------|-----|-----|-----|-----|-----|
| | mm | 15 | 20 | 25 | 32 | 40 | 50 | 65 | 80 | 100 | 125 | 150 | 200 |
| L | | 108 | 117 | 127 | 140 | 165 | 203 | 216 | 241 | 292 | 356 | 406 | 495 |
| H | | 168 | 168 | 173 | 191 | 200 | 230 | 243 | 286 | 325 | 380 | 445 | 545 |
| D | | 140 | 140 | 140 | 160 | 160 | 200 | 220 | 250 | 250 | 300 | 350 | 350 |

Materials

| Parts | 10UGL | 10UGLN |
|---------------|--------|--------|
| Body | SCS13A | SCS14A |
| Bonnet | SCS13A | SCS14A |
| Stem | SUS304 | SUS316 |
| Disc | SCS13A | SCS14A |
| Gland | SUS304 | SUS316 |
| Gland flange | SCS13A | |
| Gland packing | R-PTFE | |
| Gasket | R-PTFE | |

Note : Fig.10UGLN is supplied upon request.

20K

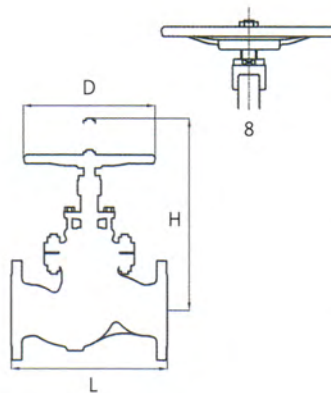
FLANGED GLOBE VALVE

Face-to-Face Dimensions ASME B16.10
End Flange Dimensions JIS B 2220

Pressure-Temperature Rating:JIS B2220



Fig.20UGL Fig.20UGLN



Dimensions

unit:mm

| Nominal Size | inch | 1/2 | 3/4 | 1 | 1 1/4 | 1 1/2 | 2 | 2 1/2 | 3 | 4 | 5 | 6 | 8 |
|--------------|------|-----|-----|-----|-------|-------|-----|-------|-----|-----|-----|-----|-----|
| | mm | 15 | 20 | 25 | 32 | 40 | 50 | 65 | 80 | 100 | 125 | 150 | 200 |
| L | | 152 | 178 | 203 | 216 | 229 | 267 | 292 | 318 | 356 | 400 | 444 | 559 |
| H | | 230 | 230 | 230 | 328 | 328 | 378 | 411 | 426 | 520 | 560 | 702 | 829 |
| D | | 140 | 140 | 140 | 160 | 160 | 250 | 250 | 300 | 300 | 450 | 450 | 500 |

Materials

| Parts | 20UGL | 20UGLN |
|---------------|--------|--------|
| Body | SCS13A | SCS14A |
| Bonnet | SCS13A | SCS14A |
| Stem | SUS304 | SUS316 |
| Disc | SCS13A | SCS14A |
| Gland | SUS304 | SUS316 |
| Gland flange | SCS13A | |
| Gland packing | R-PTFE | |
| Gasket | R-PTFE | |

Note : Fig.20UGLN is supplied upon request.
Hammer-blow type handwheel for size 8

Stainless valves

Class 150

FLANGED GLOBE VALVE

Face-to-Face Dimensions ASME B16.10
End Flange Dimensions ASME B16.5

Pressure-Temperature Rating:ASME B16.34

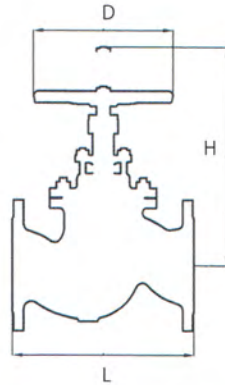
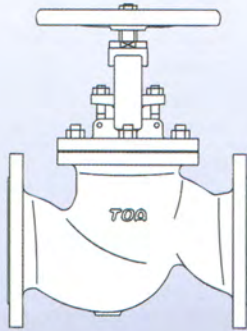


Fig.150UGL Fig.150UGLN

Dimensions

| Nominal Size | unit:mm | | | | | | | | | | | | |
|--------------|------------|-----|-----|-----|-------|-------|-----|-------|-----|-----|-----|-----|-----|
| | inch mm | 1/2 | 3/4 | 1 | 1 1/4 | 1 1/2 | 2 | 2 1/2 | 3 | 4 | 5 | 6 | 8 |
| L | | 108 | 117 | 127 | 140 | 165 | 203 | 216 | 241 | 292 | 356 | 406 | 495 |
| H | | 168 | 168 | 173 | 191 | 200 | 230 | 243 | 286 | 325 | 380 | 445 | 545 |
| D | | 140 | 140 | 140 | 160 | 160 | 200 | 220 | 250 | 250 | 300 | 350 | 350 |

Materials

| Parts | 150UGL | 150UGLN |
|---------------|--------|---------|
| Body | SCS13A | SCS14A |
| Bonnnet | SCS13A | SCS14A |
| Stem | SUS304 | SUS316 |
| Disc | SCS13A | SCS14A |
| Gland | SUS304 | SUS316 |
| Gland flange | SCS13A | |
| Gland packing | R-PTFE | |
| Gasket | R-PTFE | |

Note : Fig.150UGLN is supplied upon request.

Class 300

FLANGED GLOBE VALVE

Face-to-Face Dimensions ASME B16.10
End Flange Dimensions ASME B16.5

Pressure-Temperature Rating:ASME B16.34

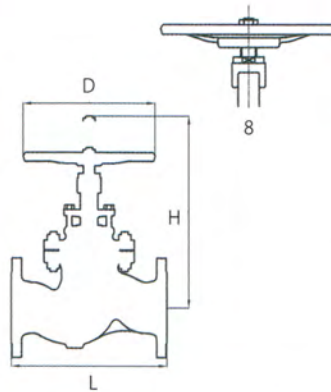
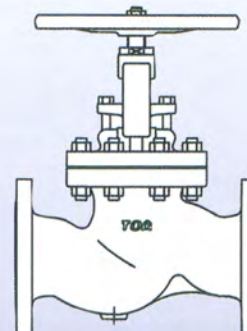


Fig.300UGL Fig.300UGLN

Dimensions

| Nominal Size | unit:mm | | | | | | | | | | | | |
|--------------|------------|-----|-----|-----|-------|-------|-----|-------|-----|-----|-----|-----|-----|
| | inch mm | 1/2 | 3/4 | 1 | 1 1/4 | 1 1/2 | 2 | 2 1/2 | 3 | 4 | 5 | 6 | 8 |
| L | | 152 | 178 | 203 | 216 | 229 | 267 | 292 | 318 | 356 | 400 | 444 | 559 |
| H | | 230 | 230 | 230 | 328 | 328 | 378 | 411 | 426 | 520 | 560 | 702 | 829 |
| D | | 140 | 140 | 140 | 160 | 160 | 250 | 250 | 300 | 300 | 450 | 450 | 500 |

Materials

| Parts | 300UGL | 300UGLN |
|---------------|--------|---------|
| Body | SCS13A | SCS14A |
| Bonnnet | SCS13A | SCS14A |
| Stem | SUS304 | SUS316 |
| Disc | SCS13A | SCS14A |
| Gland | SUS304 | SUS316 |
| Gland flange | SCS13A | |
| Gland packing | R-PTFE | |
| Gasket | R-PTFE | |

Note : Fig.300UGLN is supplied upon request.
Hammer-blow type handwheel for size 8

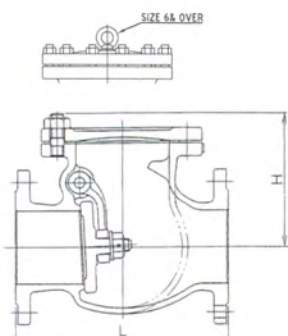
Stainless valves

10K

FLANGED SWING CHECK VALVE

Face-to-Face Dimensions ASME B16.10
End Flange Dimensions JIS B 2220

Pressure-Temperature Rating:JIS B2220



Materials

| Parts | 10UCS | 10UCSN |
|-----------|--------|---------|
| Body | SCS13A | SCS14A |
| Cover | SCS13A | SCS14 A |
| Hinge pin | SUS304 | SUS316 |
| Disc | SUS304 | SUS316 |
| Plug | SUS304 | SUS316 |
| Gasket | R-PTFE | R-PTFE |

Note : Fig.10UCSN is supplied upon request.

Dimensions

unit:mm

| Nominal Size | inch | 1 1/2 | 2 | 2 1/2 | 3 | 4 | 5 | 6 | 8 | 10 |
|--------------|------|-------|-----|-------|-----|-----|-----|-----|-----|-----|
| | mm | 40 | 50 | 65 | 80 | 100 | 125 | 150 | 200 | 250 |
| L | | 165 | 203 | 216 | 241 | 292 | 330 | 356 | 495 | 622 |
| H | | 75 | 97 | 111 | 120 | 162 | 179 | 203 | 236 | 302 |

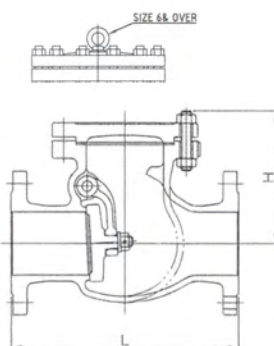
Fig.10UCS Fig.10UCSN

20K

FLANGED SWING CHECK VALVE

Face-to-Face Dimensions ASME B16.10
End Flange Dimensions JIS B 2220

Pressure-Temperature Rating:JIS B2220



Materials

| Parts | 20UCS | 20UCSN |
|-----------|--------|--------|
| Body | SCS13A | SCS14A |
| Cover | SCS13A | SCS14A |
| Hinge pin | SUS304 | SUS316 |
| Disc | SUS304 | SUS316 |
| Plug | SUS304 | SUS316 |
| Gasket | R-PTFE | R-PTFE |

Note : Fig.20UCSN is supplied upon request.

Dimensions

unit:mm

| Nominal Size | inch | 1 1/2 | 2 | 2 1/2 | 3 | 4 | 5 | 6 | 8 | 10 |
|--------------|------|-------|-----|-------|-----|-----|-----|-----|-----|-----|
| | mm | 40 | 50 | 65 | 80 | 100 | 125 | 150 | 200 | 250 |
| L | | 241 | 267 | 292 | 318 | 356 | 400 | 444 | 533 | 622 |
| H | | 93 | 127 | 144 | 154 | 196 | 217 | 230 | 265 | 319 |

Fig.20UCS Fig.20UCSN

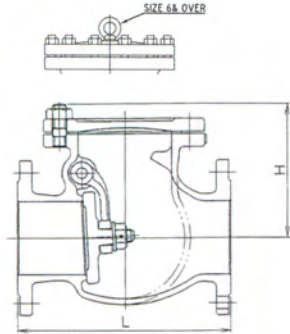
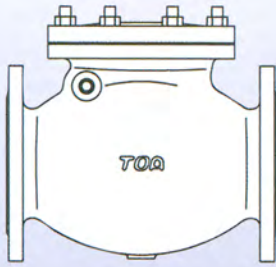
Stainless valves

Class 150

FLANGED SWING CHECK VALVE

Face-to-Face Dimensions ASME B16.10
End Flange Dimensions ASME B16.5

Pressure-Temperature Rating:ASME B16.34



Materials

| Parts | 150UCS | 150UCSN |
|-----------|--------|---------|
| Body | SCS13A | SCS14A |
| Cover | SCS13A | SCS14 A |
| Hinge pin | SUS304 | SUS316 |
| Disc | SUS304 | SUS316 |
| Plug | SUS304 | SUS316 |
| Gasket | R-PTFE | R-PTFE |

Note : Fig.150UCSN is supplied upon request.

Dimensions

unit:mm

| Nominal Size | inch | 1 1/2 | 2 | 2 1/2 | 3 | 4 | 5 | 6 | 8 | 10 |
|--------------|------|-------|-----|-------|-----|-----|-----|-----|-----|-----|
| | mm | 40 | 50 | 65 | 80 | 100 | 125 | 150 | 200 | 250 |
| L | | 165 | 203 | 216 | 241 | 292 | 330 | 356 | 495 | 622 |
| H | | 75 | 97 | 111 | 120 | 162 | 179 | 203 | 236 | 302 |

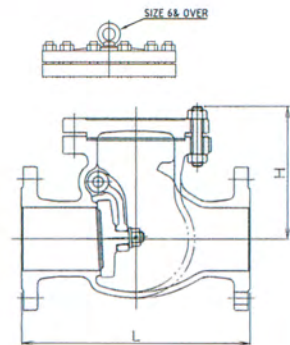
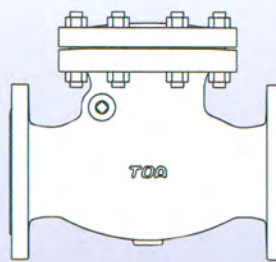
Fig.150UCS Fig.150UCSN

Class 300

FLANGED SWING CHECK VALVE

Face-to-Face Dimensions ASME B16.10
End Flange Dimensions ASME B16.5

Pressure-Temperature Rating:ASME B16.34



Materials

| Parts | 300UCS | 300UCSN |
|-----------|--------|---------|
| Body | SCS13A | SCS14A |
| Cover | SCS13A | SCS14 A |
| Hinge pin | SUS304 | SUS316 |
| Disc | SUS304 | SUS316 |
| Plug | SUS304 | SUS316 |
| Gasket | R-PTFE | R-PTFE |

Note : Fig.300UCSN is supplied upon request.

Dimensions

unit:mm

| Nominal Size | inch | 1 1/2 | 2 | 2 1/2 | 3 | 4 | 5 | 6 | 8 | 10 |
|--------------|------|-------|-----|-------|-----|-----|-----|-----|-----|-----|
| | mm | 40 | 50 | 65 | 80 | 100 | 125 | 150 | 200 | 250 |
| L | | 241 | 267 | 292 | 318 | 356 | 400 | 444 | 533 | 622 |
| H | | 93 | 127 | 144 | 154 | 196 | 217 | 230 | 265 | 319 |

Fig.300UCS Fig.300UCSN

Stainless valves

TYPE 800

REDUCED BORE BALL VALVE

One-piece body, Blowout-proof Stem, Threaded ends to BS21 (JIS B0203)

See Page 30 for Pressure-Temperature Ratings

⚠ Don't use for Flammable gas or Toxic gas



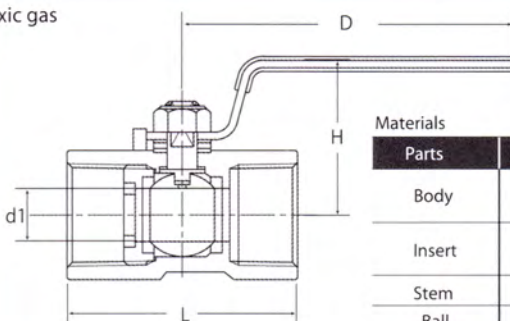
Fig.UK



Fig.UB



Fig.UBM



Materials

| Parts | UK | UB | UBM |
|-----------|---------------------------------|--------|----------|
| Body | SCS13A | SCS14A | SCS16A |
| Insert | SUS316 | SUS316 | SUS316L |
| Stem | SUS316 | SUS316 | SUS316 L |
| Ball | SUS316 | SUS316 | SUS316 L |
| Ball seat | R-PTFE | R-PTFE | R-PTFE |
| Packing | R-PTFE | R-PTFE | R-PTFE |
| Gasket | R-PTFE | R-PTFE | R-PTFE |
| Handle | Plastic covered Stainless steel | | |

Dimensions

| Nominal Size | unit:mm | | | | | | | | |
|--------------|---------|-----|------|------|------|-----|-------|-------|------|
| | inch | 1/4 | 3/8 | 1/2 | 3/4 | 1 | 1 1/4 | 1 1/2 | 2 |
| | mm | 8 | 10 | 15 | 20 | 25 | 32 | 40 | 50 |
| d1 | | 4.6 | 6.8 | 9 | 12.5 | 16 | 20 | 25 | 32 |
| L | | 39 | 44 | 56.5 | 58.5 | 71 | 78 | 83 | 100 |
| H | | 32 | 35.5 | 40.5 | 44 | 54 | 58 | 63 | 69.5 |
| D | | 64 | 63 | 101 | 101 | 106 | 106 | 139 | 139 |

TYPE 800

REDUCED BORE BALL VALVE

One-piece body, Blowout-proof Stem, Threaded ends to BS21 (JIS B0203)

See Page 30 for Pressure-Temperature Ratings

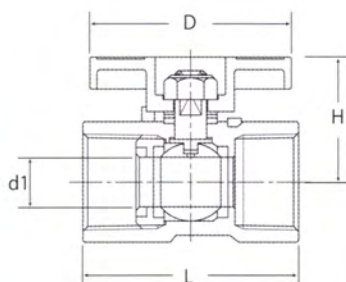
⚠ Don't use for Flammable gas or Toxic gas



Fig.UKT

Fig.UBT

Fig.UBMT



Materials

| Parts | UKT | UBT | UBMT |
|-----------|-------------------------|--------|---------|
| Body | SCS13A | SCS14A | SCS16A |
| Insert | SUS316 | SUS316 | SUS316L |
| Stem | SUS316 | SUS316 | SUS316L |
| Ball | SUS316 | SUS316 | SUS316L |
| Ball seat | R-PTFE | R-PTFE | R-PTFE |
| Packing | R-PTFE | R-PTFE | R-PTFE |
| T-Handle | Stainless steel casting | | |

Dimensions

| Nominal Size | unit:mm | | | | |
|--------------|---------|------|-----|------|------|
| | inch | 1/4 | 3/8 | 1/2 | 3/4 |
| | mm | 8 | 10 | 15 | 20 |
| d1 | | 4.6 | 6.8 | 9 | 12.5 |
| L | | 39 | 44 | 56.5 | 58.5 |
| H | | 22.5 | 23 | 28 | 31 |
| D | | 38 | 38 | 55 | 55 |

Stainless valves

TYPE 1000

FULL BORE BALL VALVE

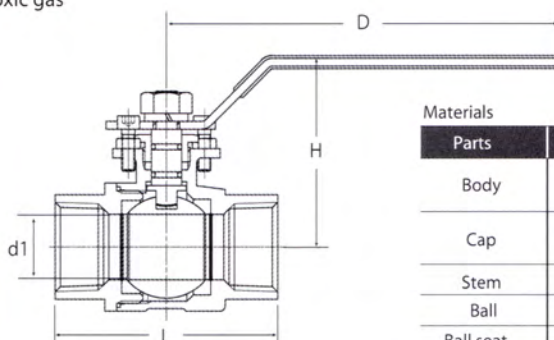
Two-piece body, Blowout-proof Stem,
Threaded ends to BS21 (JIS B0203)

See Page 30 for Pressure-Temperature ratings

⚠ Don't use for Flammable gas or Toxic gas



Fig.UF



Materials

| Parts | UF | |
|-----------|---------------------------------|--|
| Body | SCS14A | |
| Cap | SCS14A | |
| Stem | SUS316 | |
| Ball | SUS316 | |
| Ball seat | R-PTFE | |
| Packing | R-PTFE | |
| Handle | Plastic covered Stainless steel | |

Dimensions

unit:mm

| Nominal Size | inch | 1/4 | 3/8 | 1/2 | 3/4 | 1 | 1 1/4 | 1 1/2 | 2 |
|--------------|------|------|------|-----|-----|-----|-------|-------|-----|
| | mm | 8 | 10 | 15 | 20 | 25 | 32 | 40 | 50 |
| d1 | | 10.6 | 12.5 | 15 | 20 | 25 | 32 | 38 | 50 |
| L | | 58 | 58 | 61 | 72 | 85 | 97 | 116 | 133 |
| H | | 53 | 53 | 56 | 61 | 72 | 79 | 86 | 94 |
| D | | 100 | 100 | 100 | 130 | 150 | 150 | 180 | 180 |

TYPE 1000

FULL BORE BALL VALVE

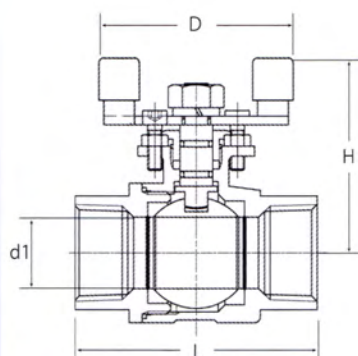
Two-piece body, Blowout-proof Stem,
Threaded ends to BS21 (JIS B0203)

See Page 30 for Pressure-Temperature Ratings

⚠ Don't use for Flammable gas or Toxic gas



Fig.UFT



Materials

| Parts | UFT | |
|-----------|---------------------------------|--|
| Body | SCS14A | |
| Cap | SCS14A | |
| Stem | SUS316 | |
| Ball | SUS316 | |
| Ball seat | R-PTFE | |
| Packing | R-PTFE | |
| T-Handle | Plastic covered Stainless steel | |

Dimensions

unit:mm

| Nominal Size | inch | 1/4 | 3/8 | 1/2 | 3/4 | 1 |
|--------------|------|------|------|------|-----|----|
| | mm | 8 | 10 | 15 | 20 | 25 |
| d1 | | 10.6 | 12.5 | 15.0 | 20 | 25 |
| L | | 58 | 58 | 61 | 72 | 85 |
| H | | 48 | 48 | 51 | 55 | 65 |
| D | | 55 | 61 | 61 | 66 | 75 |

Stainless valves

TYPE 1000

FULL BORE BALL VALVE

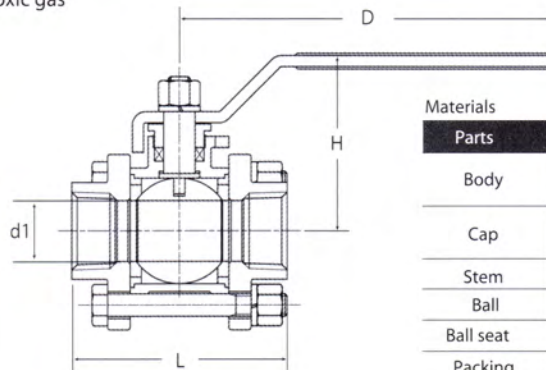
3-piece body, Blowout-proof Stem, Threaded ends to BS21 (JIS B0203)

See Page 30 for Pressure-Temperature Ratings

⚠ Don't use for Flammable gas or Toxic gas



Fig.U3BN



Materials

| Parts | U3BN |
|-----------|---------------------------------|
| Body | SCS14A |
| Cap | SCS14A |
| Stem | SUS316 |
| Ball | SUS316 |
| Ball seat | R-PTFE |
| Packing | PTFE |
| Handle | Plastic covered Stainless steel |

Dimensions

| Nominal Size | unit:mm | | | | | | | | |
|--------------|---------|------|------|------|------|------|-------|-------|-------|
| | inch | 1/4 | 3/8 | 1/2 | 3/4 | 1 | 1 1/4 | 1 1/2 | 2 |
| | mm | 8 | 10 | 15 | 20 | 25 | 32 | 40 | 50 |
| d1 | | 10.6 | 12.5 | 15 | 20 | 25 | 32 | 38 | 50 |
| L | | 52 | 52 | 70.5 | 73 | 84.5 | 101 | 112.5 | 134.5 |
| H | | 32 | 35.5 | 54 | 62.5 | 72 | 81.5 | 91.6 | 99.5 |
| D | | 80 | 80 | 100 | 148 | 148 | 190 | 190 | 190 |

TYPE 1000

FULL BORE BALL VALVE

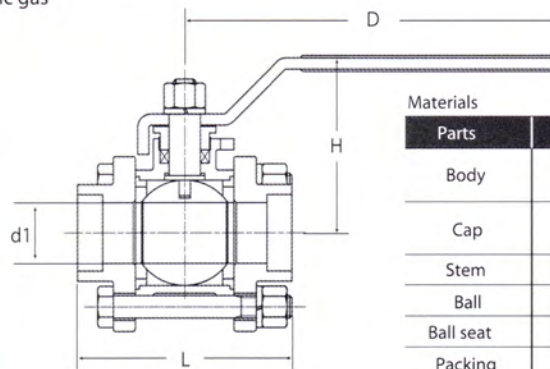
3-piece body, Blowout-proof Stem, Socket welding ends to JISB2316

See Page 30 for Pressure-Temperature Ratings

⚠ Don't use for Flammable gas or Toxic gas



Fig.SWU3BN



Materials

| Parts | SWU3BN |
|-----------|---------------------------------|
| Body | SCS14A |
| Cap | SCS14A |
| Stem | SUS316 |
| Ball | SUS316 |
| Ball seat | R-PTFE |
| Packing | PTFE |
| Handle | Plastic covered Stainless steel |

Dimensions

| Nominal Size | unit:mm | | | | | | | | |
|--------------|---------|-----|------|------|------|------|-------|-------|-------|
| | inch | 1/4 | 3/8 | 1/2 | 3/4 | 1 | 1 1/4 | 1 1/2 | 2 |
| | mm | 8 | 10 | 15 | 20 | 25 | 32 | 40 | 50 |
| d1 | | 9.2 | 12.5 | 15 | 20 | 25 | 32 | 40 | 50 |
| L | | 52 | 52 | 70.5 | 73 | 84.5 | 101 | 112.5 | 134.5 |
| H | | 32 | 35.5 | 54 | 62.5 | 72 | 81.5 | 91.6 | 99.5 |
| D | | 80 | 80 | 100 | 148 | 148 | 190 | 190 | 190 |

Stainless valves

TYPE 800

REDUCED BORE BALL VALVE

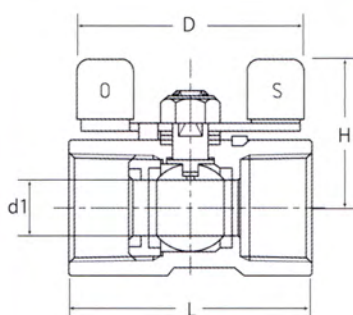
One-piece body, Blowout-proof Stem, Threaded ends to BS21 (JIS B0203)

See Page 30 for Pressure-Temperature Ratings

⚠ Don't use for Flammable gas or Toxic gas



Fig. N-UKT



Materials

| Parts | N-UKT | |
|-------------|---------------------------------|--|
| Body | SCS13A | |
| Insert | SUS316 | |
| Stem | SUS316 | |
| Ball | SUS316 | |
| Ball seat | R-PTFE | |
| Packing | R-PTFE | |
| Wing Handle | Plastic covered Stainless steel | |

Dimensions

unit:mm

| Nominal Size | inch | 1/4 | 3/8 | 1/2 | 3/4 |
|--------------|------|------|------|------|------|
| | mm | 8 | 10 | 15 | 20 |
| d1 | | 4.6 | 6.8 | 9 | 12.5 |
| L | | 39 | 44 | 56.5 | 58.5 |
| H | | 27.5 | 29.5 | 37 | 40.5 |
| D | | 38 | 38 | 50 | 50 |

TYPE 600

3-WAY BALL VALVE REDUCED BORE

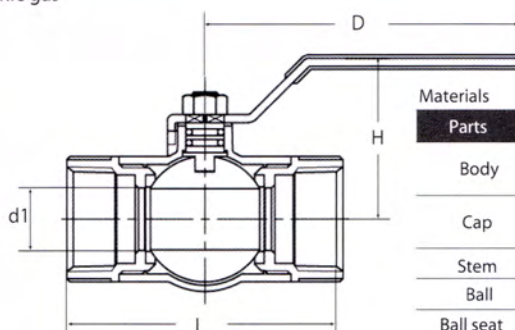
4-seated, Split body, Blowout-proof Stem, Threaded ends to BS21 (JIS B0203)

See Page 30 for Pressure-Temperature Ratings

⚠ Don't use for Flammable gas or Toxic gas



Fig.UN4



Materials

| Parts | UN4 | |
|-----------|-----------------|--|
| Body | SCS13A | |
| Cap | SCS13A | |
| Stem | SUS304 | |
| Ball | SUS304 | |
| Ball seat | R-PTFE | |
| O-ring | FKM | |
| Handle | Stainless steel | |

See Page 14 for Allowable Port Orientation

unit:mm

Dimensions

| Nominal Size | inch | 3/8 |
|--------------|------|-----|
| | mm | 10 |
| d1 | | 9.5 |
| L | | 48 |
| H | | 25 |
| D | | 40 |

Stainless valves

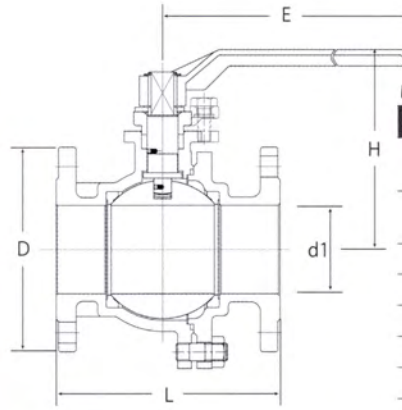
CLASS 10K

FLANGED FULL BORE BALL VALVE

Antistatic device, Blowout-proof Stem,
Flanged ends to 10K (JIS B2220)

See Page 29 for Pressure-Temperature Ratings

FACE TO FACE ASME B16.10 CLASS 150, BUT 100A OVER TOA STANDARD



Materials

| Parts | FUF | FUFN |
|-----------|-------------------------|--------|
| Body | SCS13A | SCS14A |
| Cap | SCS14A | SCS14A |
| Stem | SUS316 | SUS316 |
| Ball | SUS316 | SUS316 |
| Ball seat | R-PTFE | R-PTFE |
| Packing | R-PTFE | R-PTFE |
| Handle | Stainless steel casting | |

Dimensions

unit:mm

| Nominal Size | inch | 1/2 | 3/4 | 1 | 1 1/4 | 1 1/2 | 2 | 2 1/2 | 3 | 4 | 5 | 6 |
|--------------|------|-----|-----|-----|-------|-------|-----|-------|-----|-----|-----|-----|
| | mm | 15 | 20 | 25 | 32 | 40 | 50 | 65 | 80 | 100 | 125 | 150 |
| d1 | | 15 | 20 | 25 | 32 | 40 | 50 | 65 | 80 | 100 | 125 | 150 |
| D | | 95 | 100 | 125 | 135 | 140 | 155 | 175 | 185 | 210 | 250 | 280 |
| L | | 108 | 117 | 127 | 140 | 165 | 178 | 190 | 203 | 230 | 300 | 340 |
| H | | 70 | 73 | 90 | 94 | 122 | 130 | 148 | 174 | 190 | 243 | 259 |
| E | | 130 | 130 | 160 | 160 | 250 | 250 | 250 | 400 | 400 | 650 | 650 |

Fig.FUF Fig.FUFN

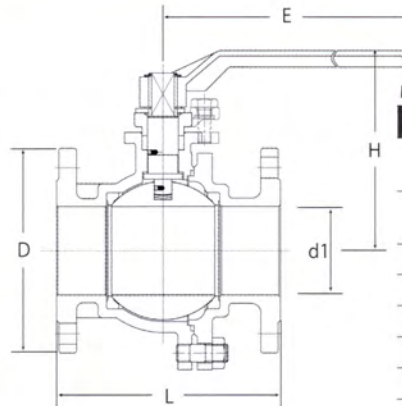
CLASS 150

FLANGED FULL BORE BALL VALVE

Antistatic device, Blowout-proof Stem,
Flanged ends to ASME B16.10 (class150)

See Page 29 for Pressure-Temperature Ratings

FACE TO FACE ASME B16.10 CLASS150



Materials

| Parts | FUFA | FUFNA |
|-----------|-------------------------|--------|
| Body | SCS13A | SCS14A |
| Cap | SCS13A | SCS14A |
| Stem | SUS304 | SUS316 |
| Ball | SUS304 | SUS316 |
| Ball seat | R-PTFE | R-PTFE |
| Packing | R-PTFE | R-PTFE |
| Handle | Stainless steel casting | |

Dimensions

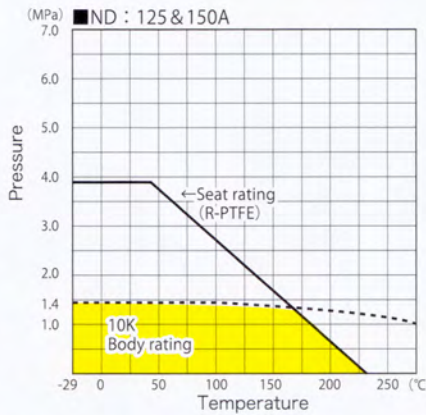
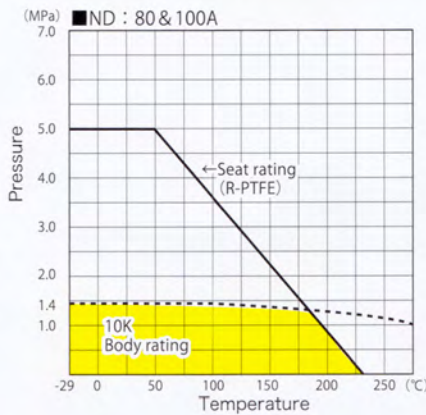
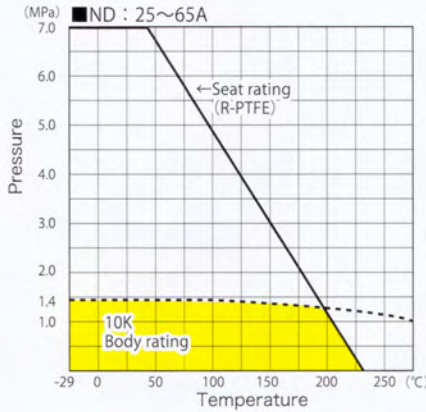
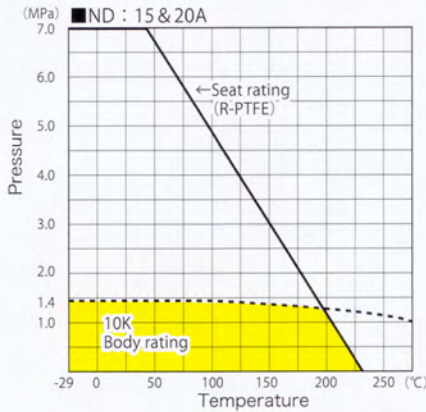
unit:mm

| Nominal Size | inch | 1/2 | 3/4 | 1 | 1 1/4 | 1 1/2 | 2 | 2 1/2 | 3 | 4 | 5 | 6 |
|--------------|------|-----|-----|-----|-------|-------|-----|-------|-----|-----|-----|-----|
| | mm | 15 | 20 | 25 | 32 | 40 | 50 | 65 | 80 | 100 | 125 | 150 |
| d1 | | 15 | 20 | 25 | 32 | 40 | 50 | 65 | 80 | 100 | 125 | 150 |
| D | | 89 | 98 | 108 | 117 | 127 | 152 | 178 | 190 | 229 | 254 | 279 |
| L | | 108 | 117 | 127 | 140 | 165 | 178 | 190 | 203 | 229 | 366 | 394 |
| H | | 71 | 73 | 90 | 94 | 122 | 130 | 148 | 174 | 190 | 243 | 259 |
| E | | 130 | 130 | 180 | 160 | 250 | 250 | 250 | 400 | 400 | 650 | 650 |

Fig.FUFA Fig.FUFNA

Pressure-Temperature Ratings

Stainless ball valves 10K FUF/FUFN



Usage of pressure-temperature ratings for flanged end ball valves

A) Indication of ratings

- (1) The solid line indicates a seat rating.
- (2) The broken line indicates a body rating.

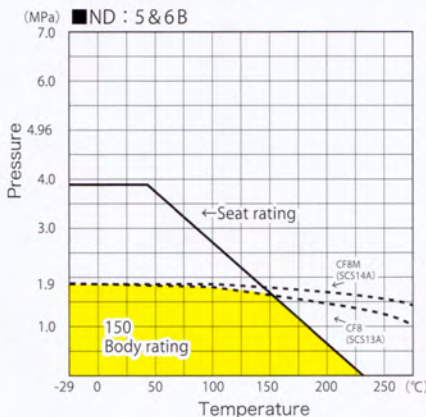
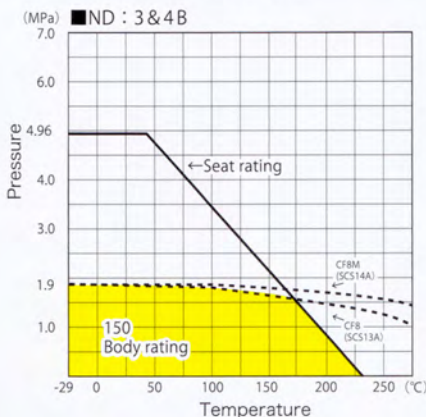
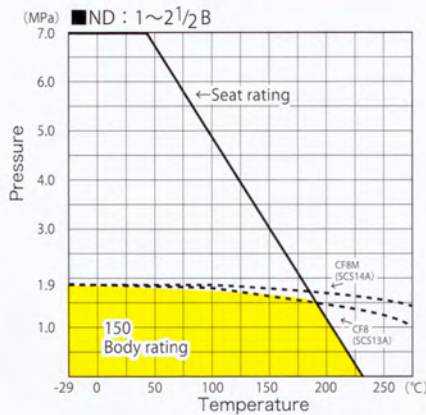
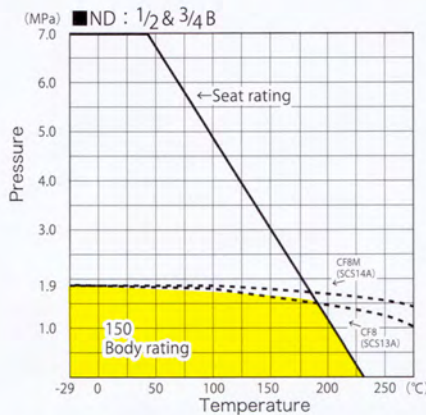
B) It is noted that this pressure-temperature rating is determined under the piping conditions that the ball valve shall be installed without excessive external piping stresses and applicable to the non-Shock fluid.

Therefore, it is actually necessary to allow for the proper safety factor, as is the case with general valves.

This safety factor is taken in the consideration of piping design conditions, but general safety factors are as follows,

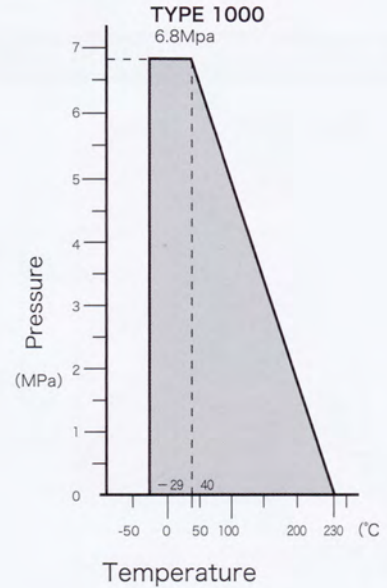
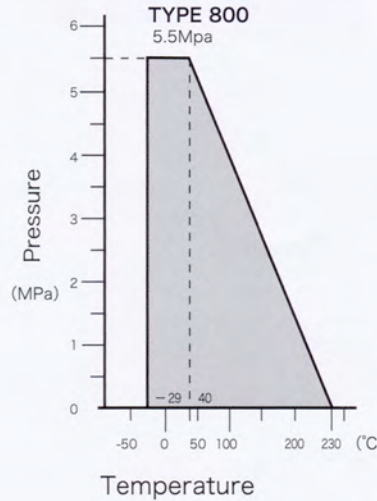
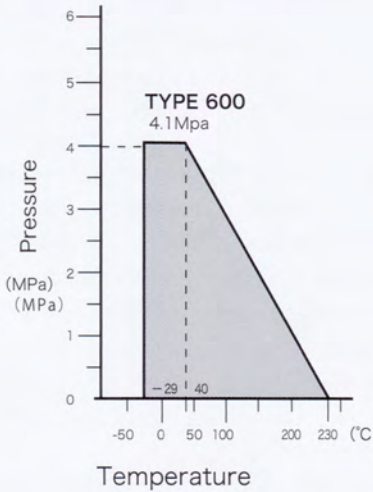
- (1) Small-sized valves : 10 up to 15 %
- (2) Large-sized valves : 20 up to 25 %
- (3) In case of pulsating fluid and steam, the safety factor of 10 up to 20 % shall be added to those shown in (1) and (2) above.

Stainless valve 150 FUFU/FUFNA



Pressure-Temperature Ratings

Threaded or socket welding end ball valves

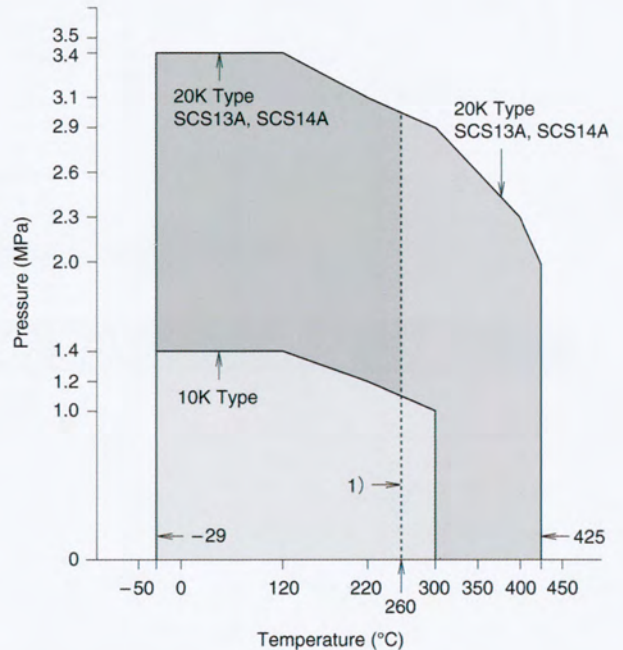


JIS Flanged Valves

| | | (MPa) | |
|------------------|-------------|----------------|----------------|
| Nominal pressure | | 10K | 20K |
| Body material | | SCS13A, SCS14A | SCS13A, SCS14A |
| Temperature | below 120°C | 1.4 | 3.4 |
| | 220°C | 1.2 | 3.1 |
| | 300°C | 1.0 | 2.9 |
| | 350°C | — | 2.6 |
| | 400°C | — | 2.3 |
| | 425°C | — | 2.0 |

Notes:

- 1) The max. working temperature for standard products is restricted to 260°C by gland packing, gasket or material.
- 2) In case of use at 260°C and above, applicable selection for gland packing & gasket is required.
- 3) Do not use our products in flammable or toxic gas service.



ASME B16.34 Table2-2.1A&2-1.2A

| Service temperature | | Class150 | | Class300 | |
|---------------------|----------|---------------------|----------------------|---------------------|----------------------|
| | | A351 Gr.CF8(SCS13A) | A351 Gr.CF8M(SCS14A) | A351 Gr.CF8(SCS13A) | A351 Gr.CF8M(SCS14A) |
| (°C) | (°F) | MPa | MPa | MPa | MPa |
| -29 -38 | -20 -100 | 1.90 | 1.90 | 4.96 | 4.96 |
| 93 | 200 | 1.62 | 1.65 | 4.14 | 4.27 |
| 149 | 300 | 1.41 | 1.48 | 3.65 | 3.86 |
| 204 | 400 | 1.24 | 1.34 | 3.24 | 3.55 |
| 260 | 500 | 1.17 | 1.90 | 3.00 | 3.31 |
| 316 | 600 | 0.965 | 0.965 | 2.86 | 3.10 |
| 343 | 650 | 0.862 | 0.862 | 2.83 | 3.07 |
| 371 | 700 | 0.758 | 0.758 | 2.79 | 2.96 |
| 399 | 750 | 0.655 | 0.655 | 2.76 | 2.93 |
| 427 | 800 | 0.552 | 0.552 | 2.72 | 2.86 |